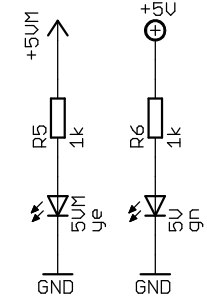
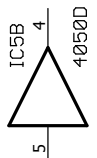
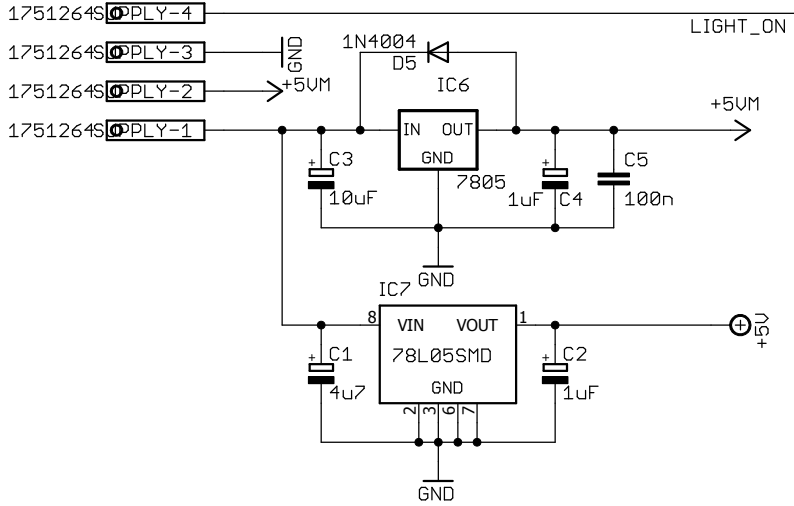


+5..+15V, unstabilisiert, evtl gleichgerichtet, erfordert Retrigger-Logik in PIC



Board Name:	Ctrl4Servo	Board Version:	V0.2	Board Date:	2020.12
File Name:	servo_pic	Last Stored:	nicht gespeichert!		
Property of LWH brainware. All rights reserved.					Sheet: 1/1 A3